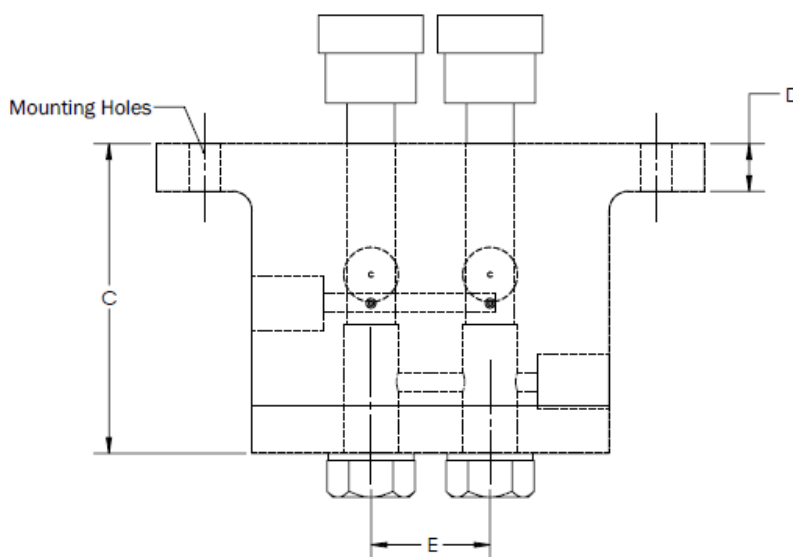
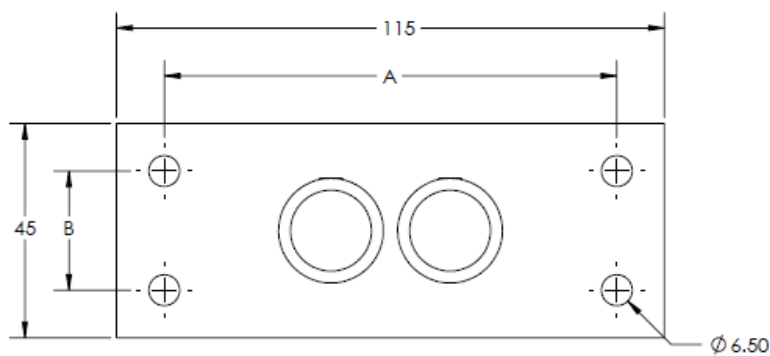


## GAUGE ISOLATOR VALVE

MODEL: GIMSPR 02



- The maximum working pressure is up to 3000 PSI.
- Working Temperature ranges from -30° F to 240° F.
- All ports are ¼" BSP.
- Outer body is made of High Grade Casting.
- The valves are designed to prevent surge damage to a gauge in all types of hydraulic circuits.
- The high performance, low drain leakage characteristic is maintained in the multi-station valves. Only one gauge and one drain line for all the ports reduces plumbing and additional instrumentation cost.



Mounting & Cut out dimensions two station

Model No.	Dimensions				
	A	B	C	D	E
GI MS PR - 02	95	25	65	10	25

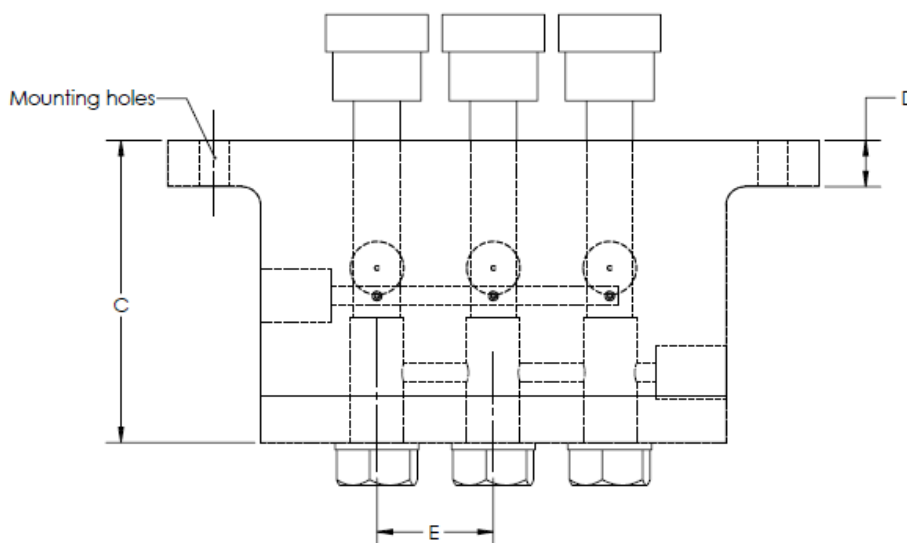
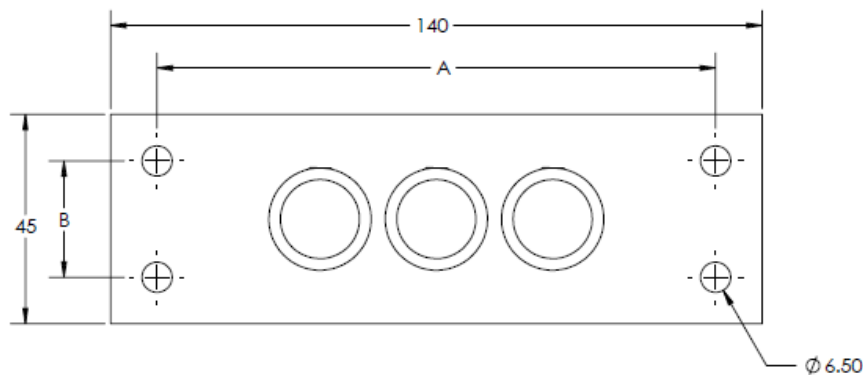
### HYDAX HYDRAULICS PVT. LTD.

## GAUGE ISOLATOR VALVE

MODEL: GIMSPR 03



- The maximum working pressure is up to 3000 PSI.
- Working Temperature ranges from -30° F to 240° F.
- All ports are ¼" BSP.
- Outer body is made of High Grade Casting.
- The valves are designed to prevent surge damage to a gauge in all types of hydraulic circuits.
- The high performance, low drain leakage characteristic is maintained in the multi-station valves. Only one gauge and one drain line for all the ports reduces plumbing and additional instrumentation cost.



Mounting & Cut out dimensions three station

Model No.	Dimensions				
	A	B	C	D	E
GI MS PR - 03	120	25	65	10	25

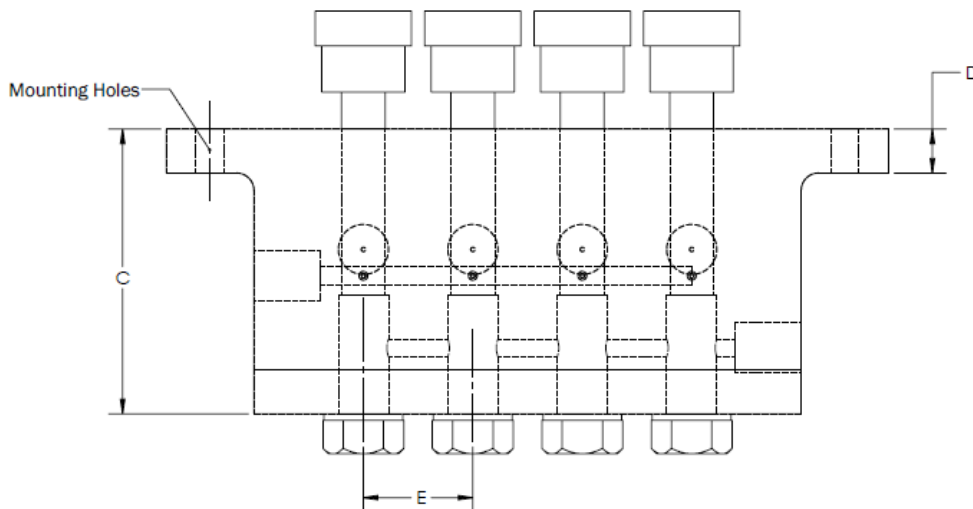
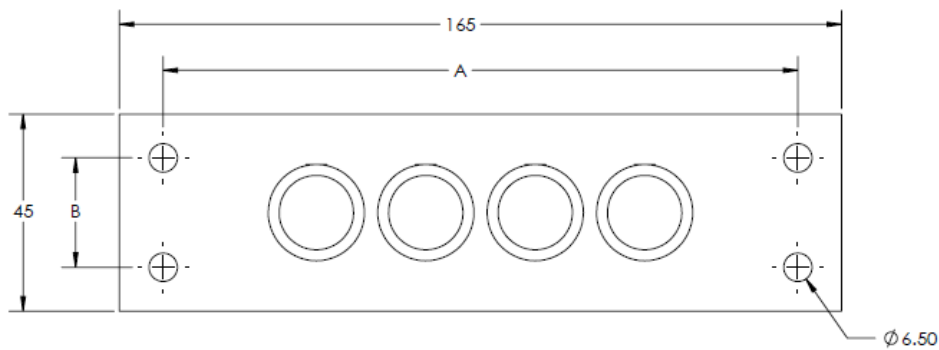
### HYDAX HYDRAULICS PVT. LTD.

## GAUGE ISOLATOR VALVE

MODEL: GIMSPR 04



- The maximum working pressure is up to 3000 PSI.
- Working Temperature ranges from -30° F to 240° F.
- All ports are ¼" BSP.
- Outer body is made of High Grade Casting.
- The valves are designed to prevent surge damage to a gauge in all types of hydraulic circuits.
- The high performance, low drain leakage characteristic is maintained in the multi-station valves. Only one gauge and one drain line for all the ports reduces plumbing and additional instrumentation cost.



Mounting & Cut out dimensions Four station

Model No.	Dimensions				
	A	B	C	D	E
GI MS PR - 04	145	25	65	10	25